



PUBLIC PHONE

Product Model: JWAT203

Defend Grade: IP54

Communication System: Analogue

Material: Rolled Steel

Color: Orange (Optional)



Technical Parameters

Power Supply	Telephone Line Powered
Voltage	DC48V
Standby Work Current	≤1mA
Frequency Response	250~3000 Hz
Ringer Volume	≤80dB(A)
Corrosion Grade	WF1
Ambient Temperature	-40~+70℃
Atmospheric Pressure	80~110KPa
Relative Humidity	≤95%
Anti-vandalism Level	IK09
Installation	Wall-mounted



Application

This Vandal-proof Telephone is Ideal for Railway applications, Marine applications, Tunnels. Underground Mining, Firefighter, Industrial, Prisons, Jail, Parking lots, Hospitals, Guard Stations, Police stations, Bank halls, ATM machines, Stadiums, inside and outside building etc.



86-574-58223619



Sales@joiwo.com



<https://www.joiwo.com>



No. 8 Middle Road Guoxiang Bridge Lanjiang Street Yuyao Zhejiang China

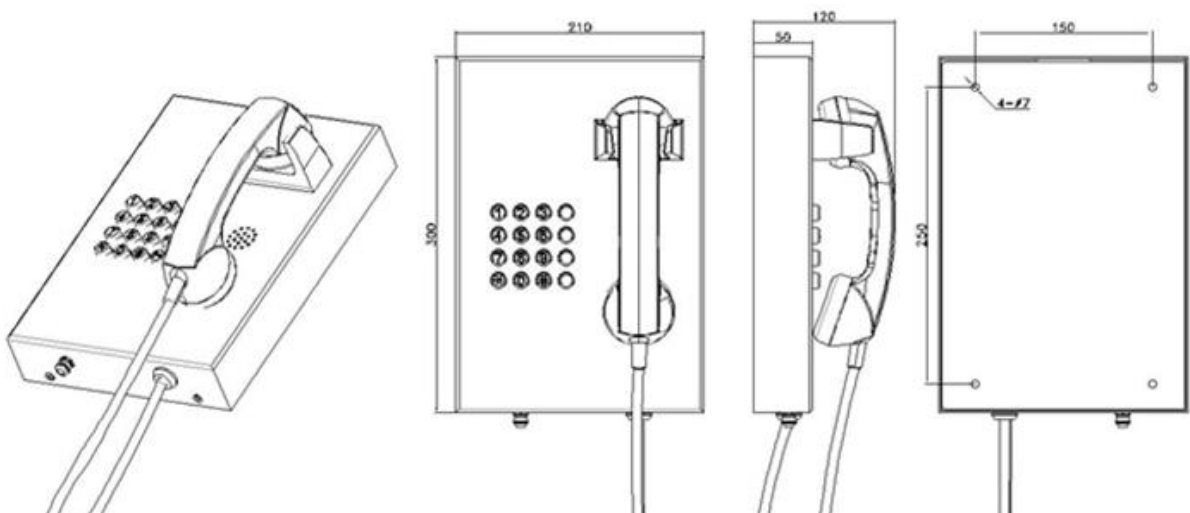


Features

1. Standard Analogue phone. Phone line powered.
2. Robust housing, constructed of cold rolled steel with powder coated
3. Vandal resistant handset with Internal steel lanyard and grommet provides added security for handset cord.
4. Zinc alloy keypad with 4 speed dial buttons.
5. Magnetic hook switch with reed switch.
6. Optional noise-canceling microphone available
7. Wall mounted, Simple installation.
8. Weather proof protection IP54.
9. Connection: RJ11 screw terminal pair cable.
10. Multiple color available.
11. Self-made telephone spare part available.
12. CE, FCC, RoHS, ISO9001 compliant



Product Dimensions



Package

Unit size: 210*300*65 (mm)

Carton size: 420*380*480 (mm)

Packaging materials: Pearl cotton, Carton

Net weight: 3.2 KG

Gross weight: 3.5 KG



Service and Support

Under normal use, non-human damage, free **THREE YEAR WARRANTY**.